

Glassforce 125 Face Fix System



Product Features

- A unique system for attaching Glass Balustrading and Pool Fencing without disturbing the visual appearance and aesthetics of the building.
- A strong structural strength is achieved through the continuous aluminium extrusion which is available ex-stock up to 5M lengths or larger on special orders.
- Powder coated finish in Silver Pearl is the standard finish but this product can be anodised or powder coated to customers individual requirements.
- Depending on the fixing detail, this Face Fixed System can be attached to timber, concrete or steel. So can be combined within the one building in various applications.
- Its unique clamping and adjustment system means that no pressure is applied directly to the glass and the system can be easily adjusted to level glass.
- Various thicknesses of glass can be accommodated from 12-15mm Glass.

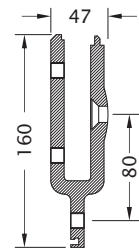


Glassforce 125 Face Fix System

Base Channel

Product Code	Description
FF1M	Face Fix Base Channel

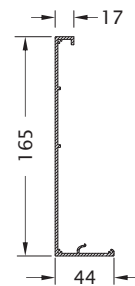
Finish
Mill



Cover

Product Code	Description
FF2M	Face Fix Main Cover
FF2SP	Face Fix Main Cover
FF2C	Face Fix Main Cover

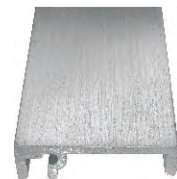
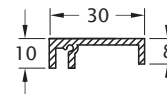
Finish
Mill
Silver Pearl
Custom



Internal Cap

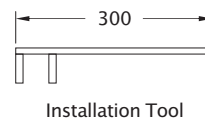
Product Code	Description
FF3M	Face Fix Internal Cap
FF3SP	Face Fix Internal Cap
FF3C	Face Fix Internal Cap

Finish
Mill
Silver Pearl
Custom

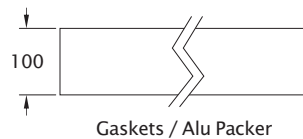


Accessories

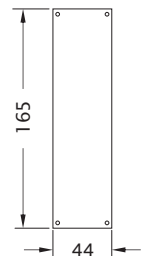
Product Code	Description
FF4M	End Cap Mill
FF4SP	End Cap Silver Pearl
FF4C	End Cap Custom
FF5M	100x3mm Alu Packer
FF6	M16 Grub Screws
FF7	5000x100mm Gasket
FF8	Setting Block
FF9	Installation Tool
FF10	Fixing Screws for Cover



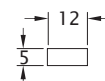
Installation Tool



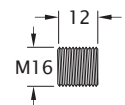
Gaskets / Alu Packer



Endcaps



Setting Block

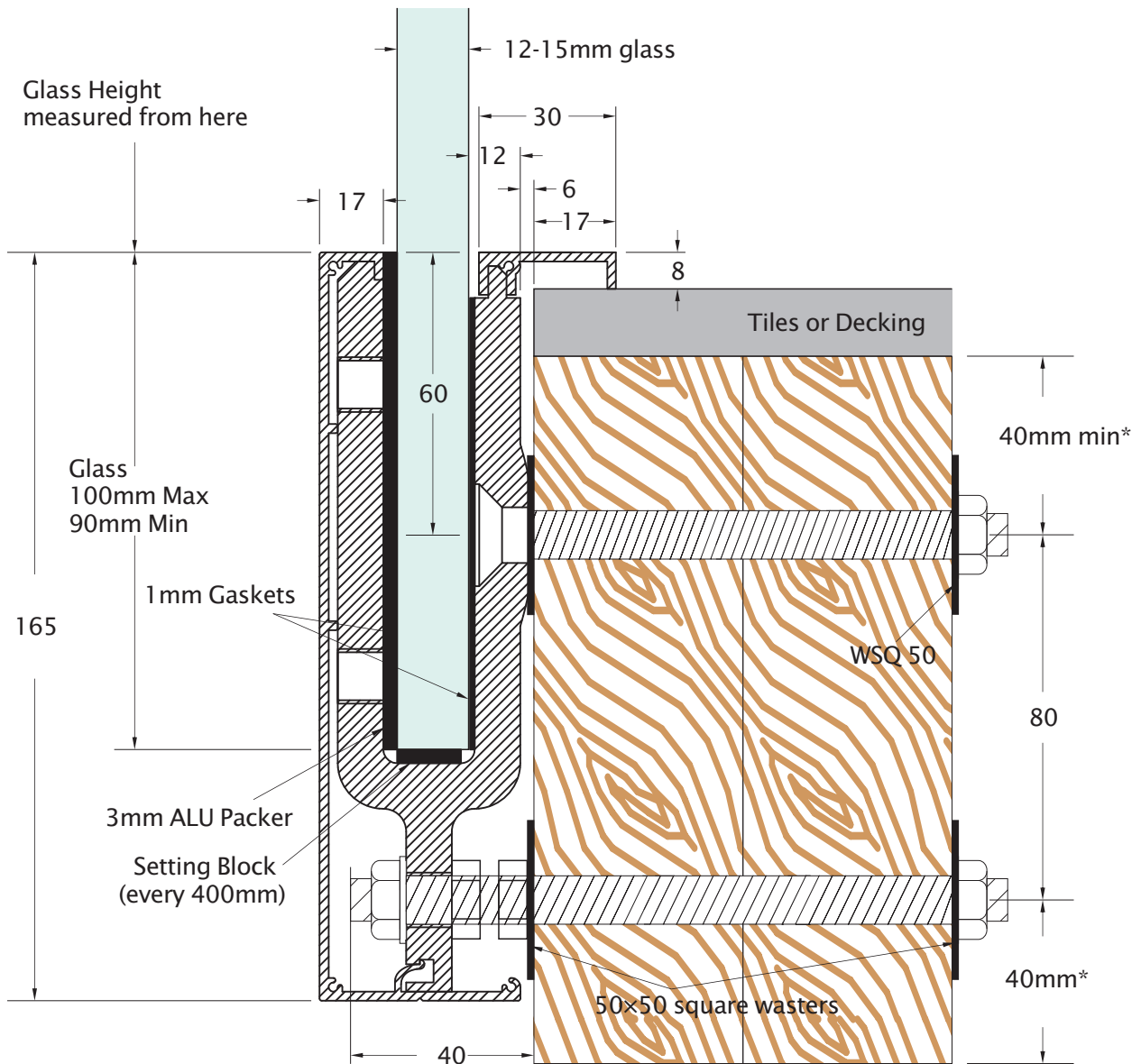


Grub Screw



Glassforce 125 Face Fix System

Typical Fixing Detail External/Internal Balustrading & Pool Fencing - Bolted to timber



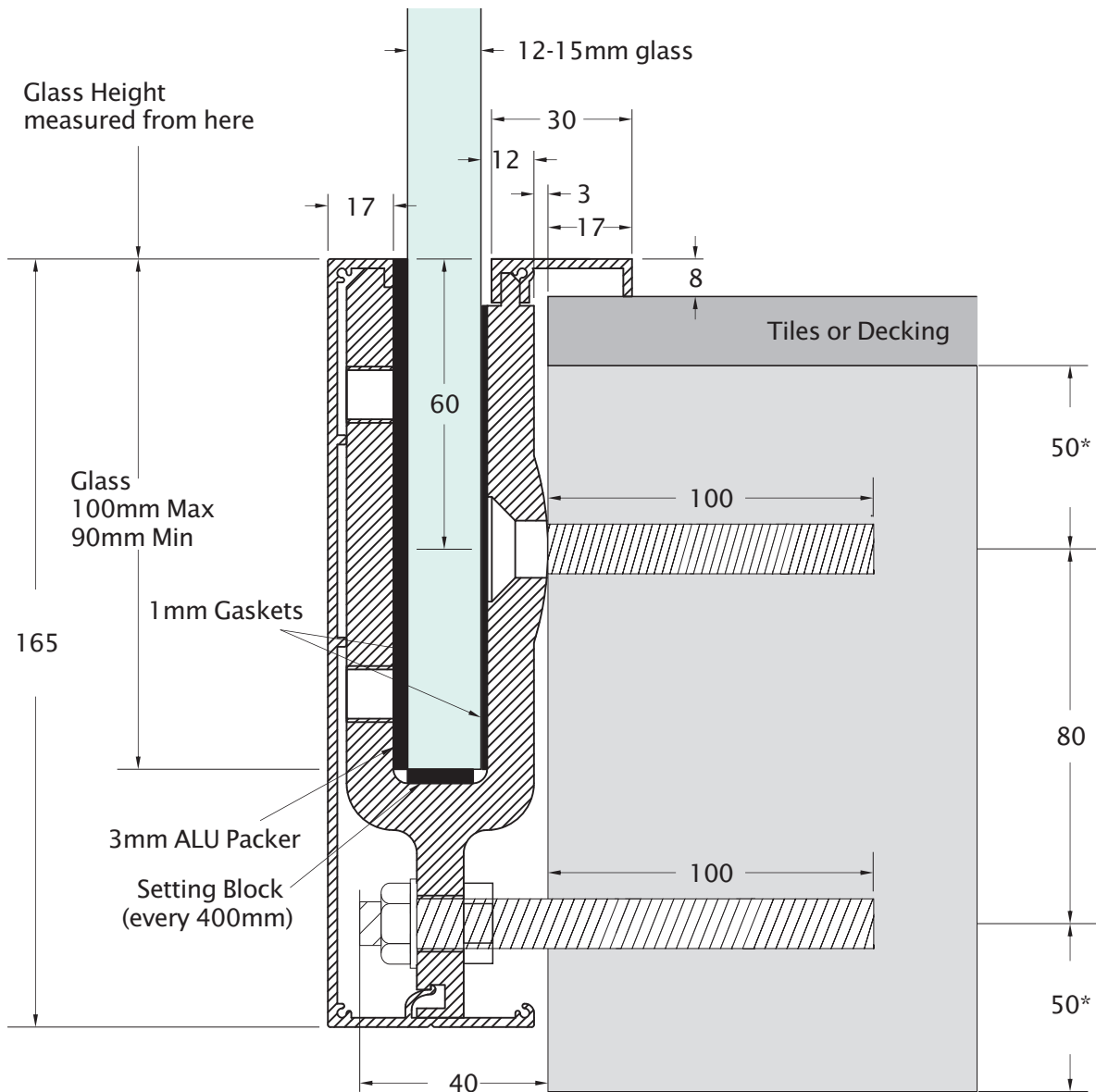
Note:

- * For specific fixing detail and options refer to our website.
- Please read and follow the installation instructions prior to assembly.
- User shall determine the suitability or not of this product for its intended use, in all cases the requirements of the issued PS1 and installation instructions must be adhered to, where conflicting detail is available the requirements of the PS1 must be met, responsibility for the engineering or suitability of the structure this system is to be fixed to is by others, warranty either expressed or implied is limited to replacement of faulty product only.



Glassforce 125 Face Fix System

Typical Fixing Detail External/Internal Balustrading & Pool Fencing - Concrete Fixing



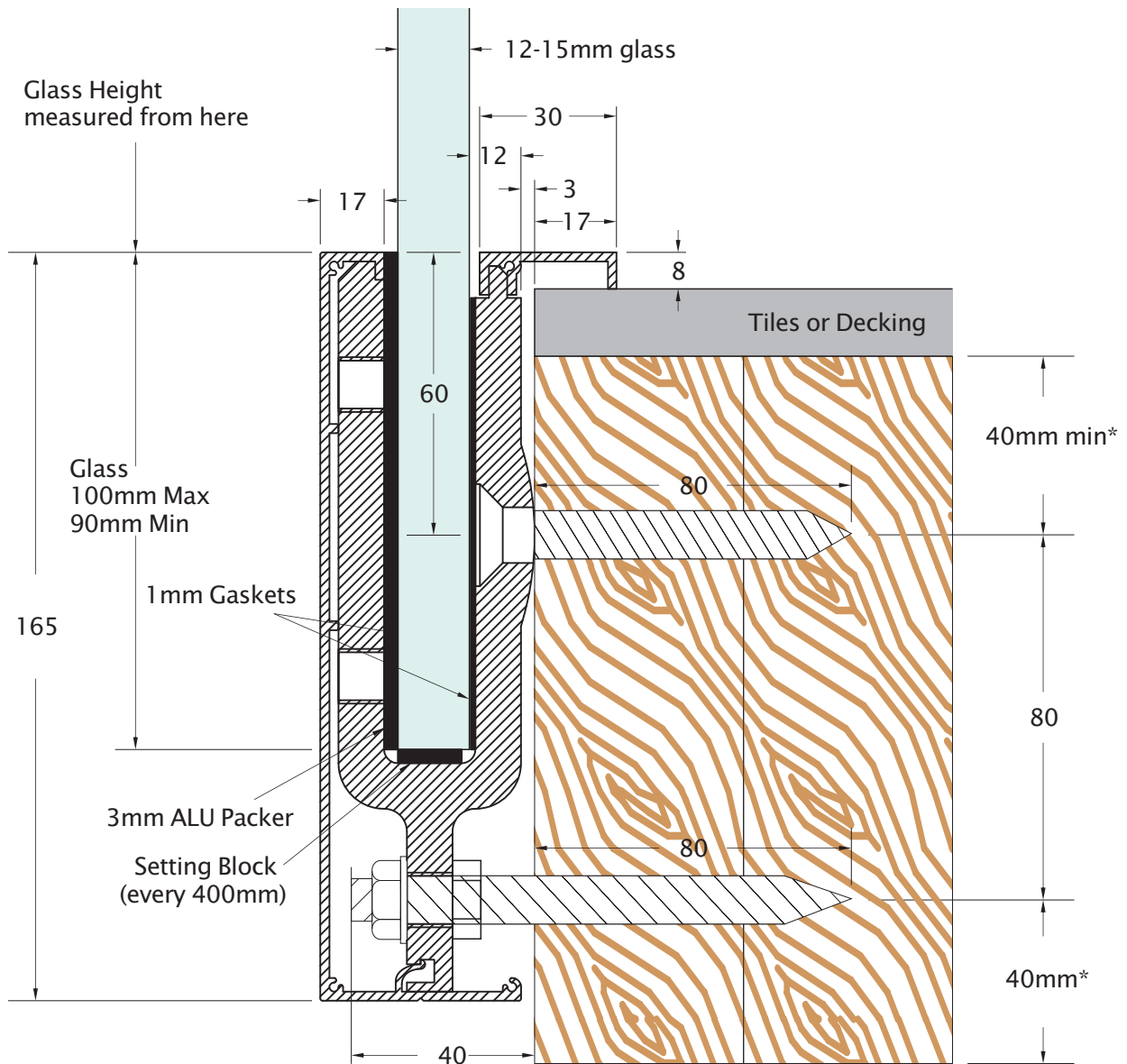
Note:

- * For specific fixing detail and options refer to our website.
- Please read and follow the installation instructions prior to assembly.
- User shall determine the suitability or not of this product for its intended use, in all cases the requirements of the issued PS1 and installation instructions must be adhered to, where conflicting detail is available the requirements of the PS1 must be met, responsibility for the engineering or suitability of the structure this system is to be fixed to is by others, warranty either expressed or implied is limited to replacement of faulty product only.



Glassforce 125 Face Fix System

Typical Fixing Detail For Internal Balustrades - Fixed to timber



Note:

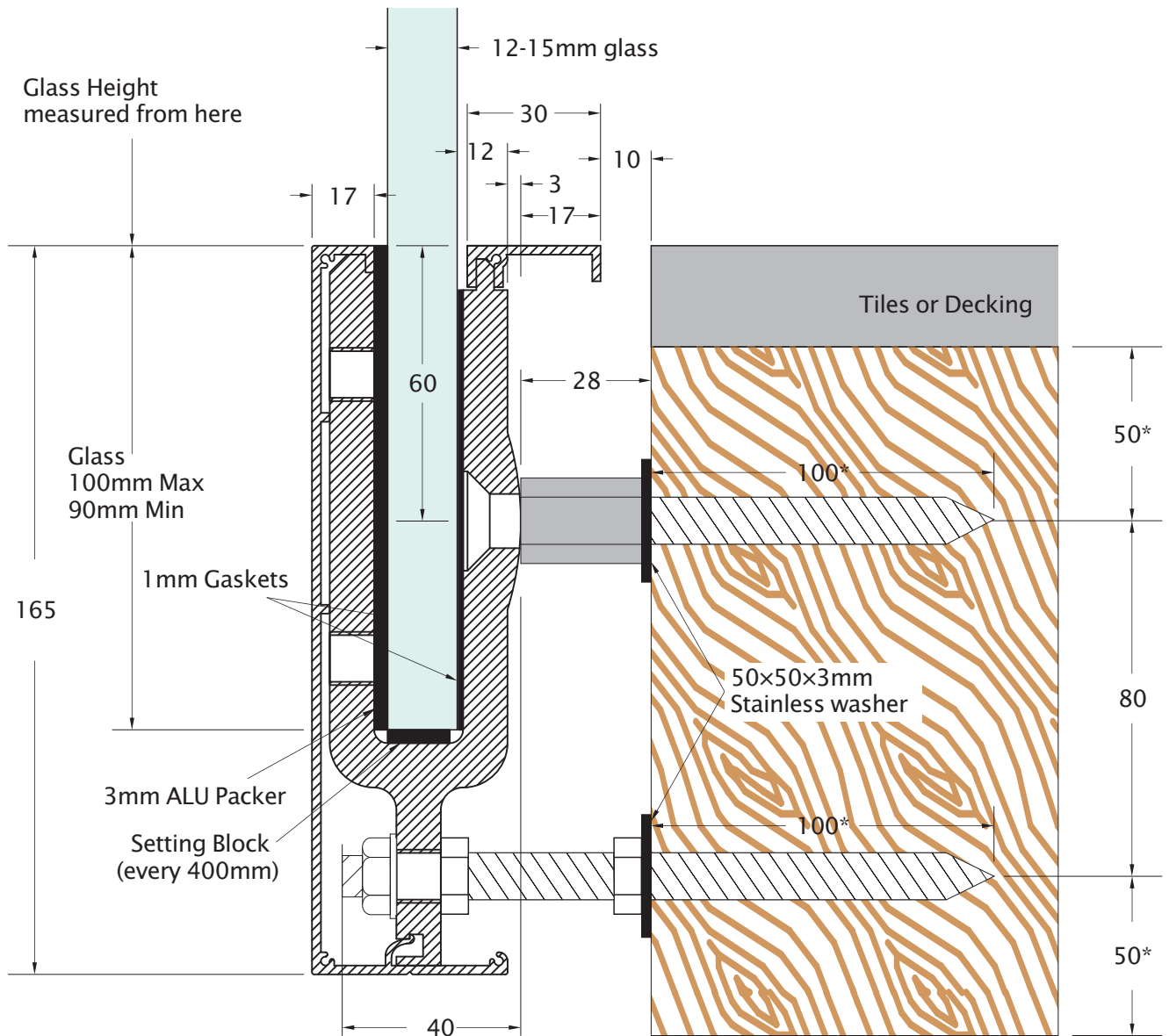
- * For specific fixing detail and options refer to our website.
- Please read and follow the installation instructions prior to assembly.
- User shall determine the suitability or not of this product for its intended use, in all cases the requirements of the issued PS1 and installation instructions must be adhered to, where conflicting detail is available the requirements of the PS1 must be met, responsibility for the engineering or suitability of the structure this system is to be fixed to is by others, warranty either expressed or implied is limited to replacement of faulty product only.



Glassforce 125 Face Fix System

Typical Fixing Detail External Balustrades/Pool Fencing

- Fixed to timber or concrete
- Fixed to weatherproof membranes



Note:

- * For specific fixing detail and options refer to our website.
- Please read and follow the installation instructions prior to assembly.
- User shall determine the suitability or not of this product for its intended use, in all cases the requirements of the issued PS1 and installation instructions must be adhered to, where conflicting detail is available the requirements of the PS1 must be met, responsibility for the engineering or suitability of the structure this system is to be fixed to is by others, warranty either expressed or implied is limited to replacement of faulty product only.

