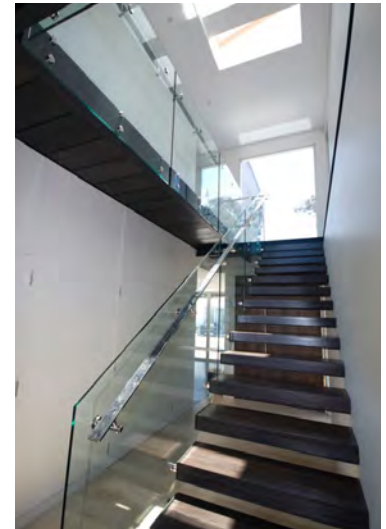


Glassforce 1400 Handrail System



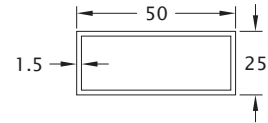
Product Features

- A modern design suitable for side fixing to glass, timber or concrete.
- The slim side profile provides minimum visual intrusion for glass balustrades.
- Matching handrail brackets for glass or timber/concrete walls with concealed fixing are available.
- Combines with square or round balustrade anchor fittings.
- Manufactured from 316 stainless steel.



Glassforce 1400 Handrail System

Product Code	Description	Finish
HR7PS	Cuboid Handrail 50×20×1.5mm	PS
HR7SS	Cuboid Handrail 50×20×1.5mm	SS



Note

- For Handrail Bracket options refer to Handrail Bracket catalogue page.

Product Code	Description	Finish
HR4PS	Cuboid Joiner 90	PS
HR4SS	Cuboid Joiner 90	SS



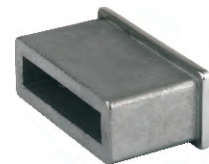
Product Code	Description	Finish
HR2PS	Cuboid Joiner 180	PS
HR2SS	Cuboid Joiner 180	SS



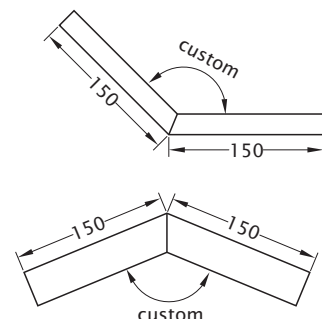
Product Code	Description	Finish
HR1PS	Cuboid Wall Support	PS
HR1SS	Cuboid Wall Support	SS



Product Code	Description	Finish
HR8PS	Cuboid End Cap	PS
HR8SS	Cuboid End Cap	SS



Product Code	Description	Finish
HR6PS	Cuboid Custom angle / Weld	PS
HR6SS	Cuboid Custom angle / Weld	SS



Note

- Includes 150mm of rail both sides of join, larger or smaller lengths available upon request.

