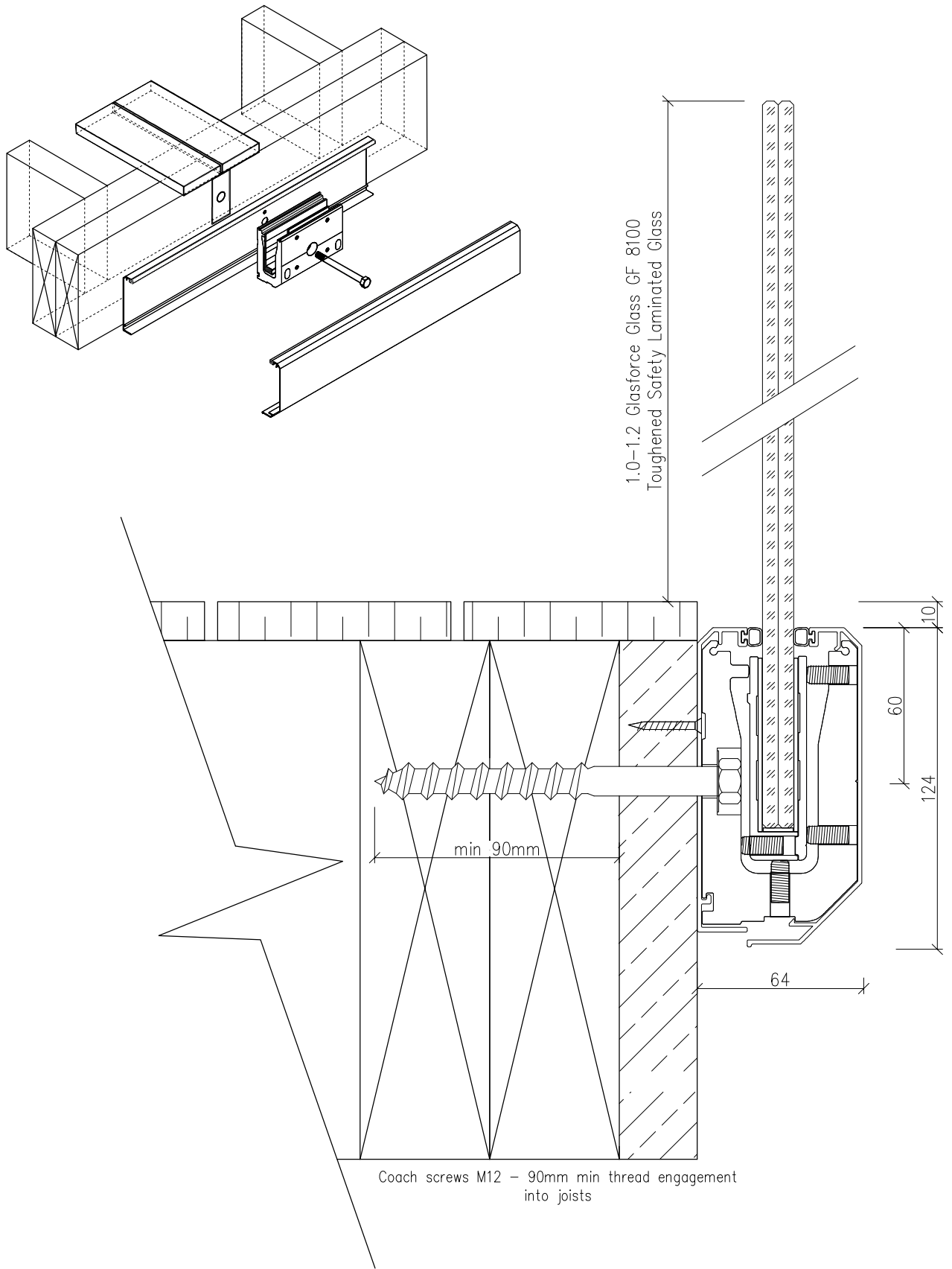


Glassforce Face Fix Channel GF1020

- Timber Deck - M12 Coach screw



Coach screws M12 – 90mm min thread engagement into joists



www.glassforce.co.nz www.davantech.co.nz

Glassforce Ltd.

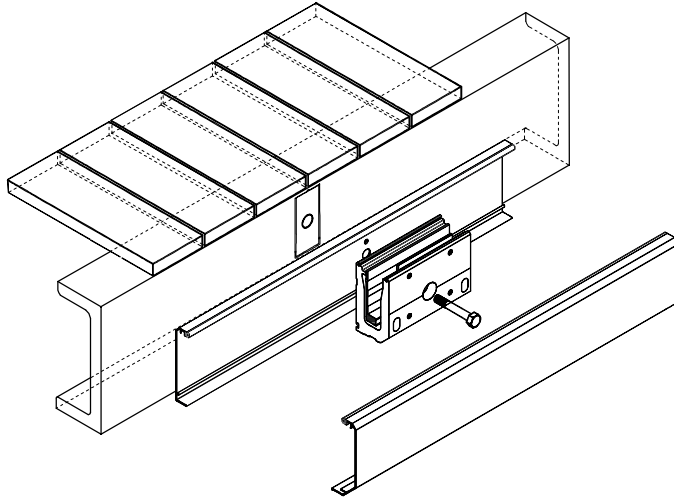
56 Newtown St. - Christchurch - 03 384 3077 - office@glassforce.co.nz

Scale: A4 1:2

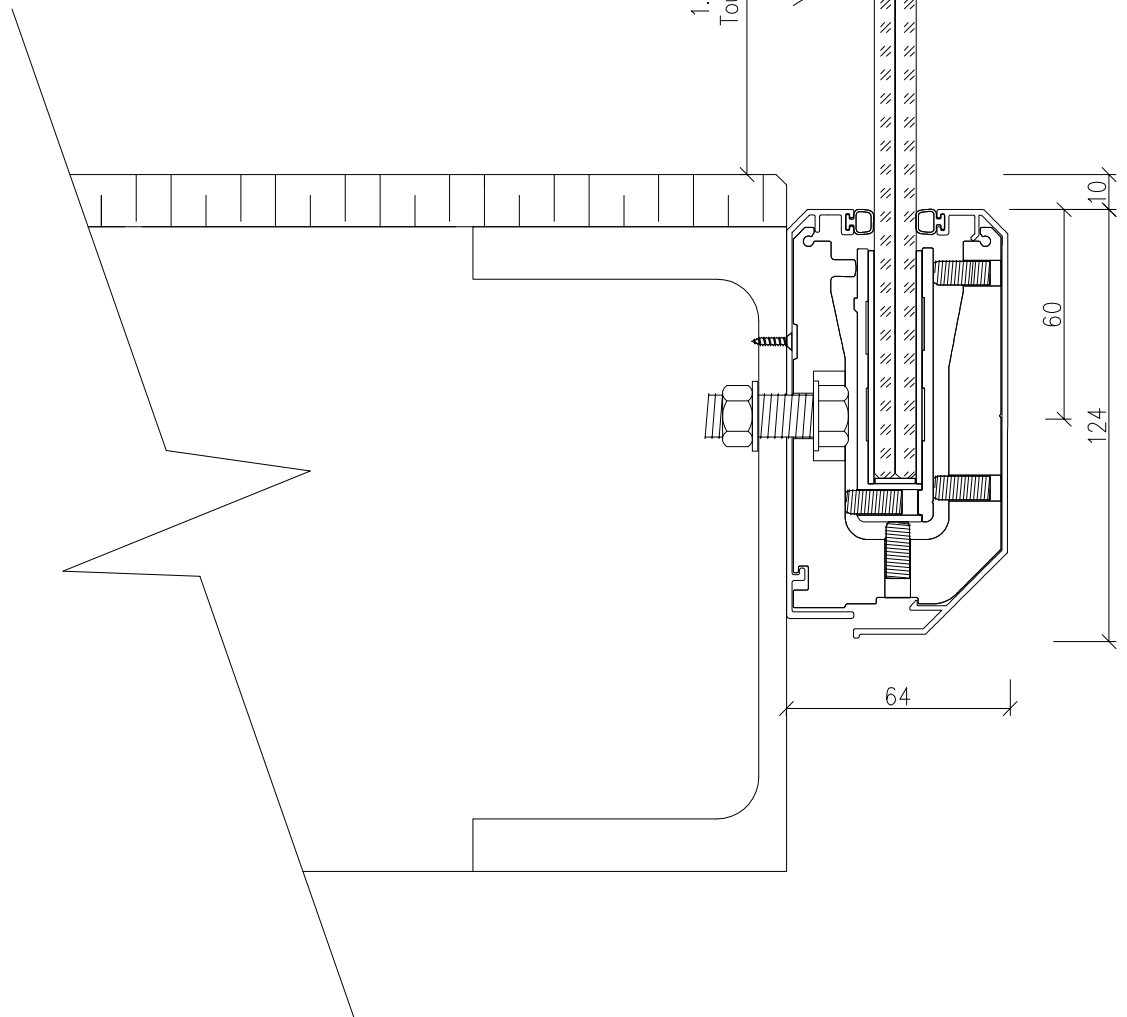
Glassforce Face Fix Channel GF1020 - Timber Deck

Glassforce Face Fix Channel GF1020

- Steel Structure - M12 Bolt



1.0-1.2 Glasforce Glass GF 8100
Toughened Safety Laminated Glass



www.glassforce.co.nz www.davantech.co.nz

Glassforce Ltd.

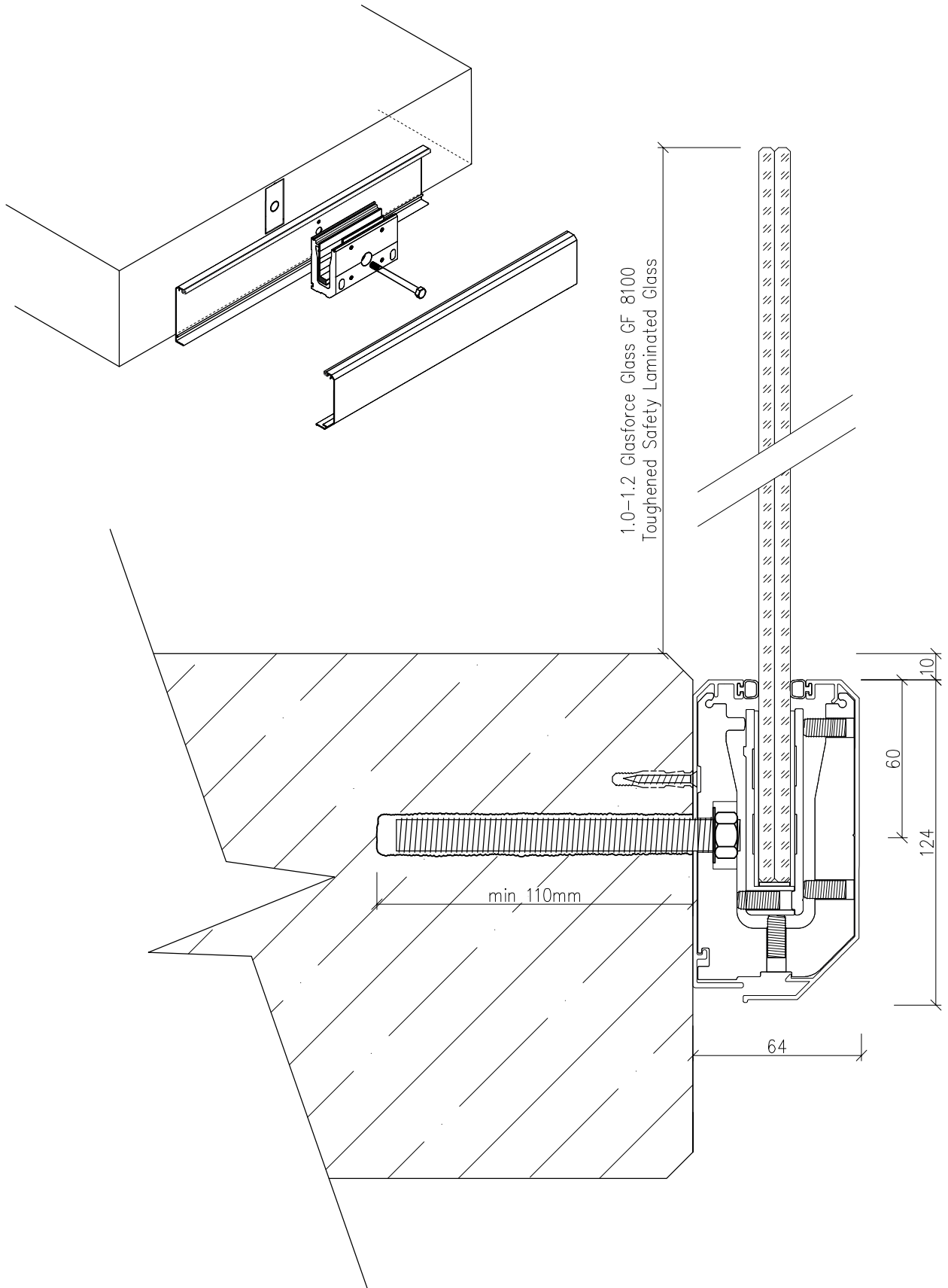
56 Newtown St. - Christchurch - 03 384 3077 - office@glassforce.co.nz

Scale: A4 1:2

Glassforce Face Fix Channel GF1020 - Steel Construction

Glassforce Face Fix Channel GF1020

- Concrete Slab - M12 Stud



www.glassforce.co.nz www.davantech.co.nz

Glassforce Ltd.

56 Newtown St. - Christchurch - 03 384 3077 - office@glassforce.co.nz

Scale: A4 1:2

Glassforce Face Fix Channel GF1020 - Concrete Slab