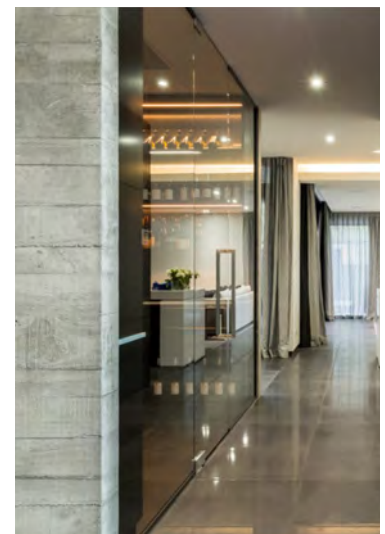


Glassforce 1220 Patch Fittings, Closer & Latches



Product Features

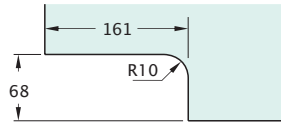
- Developed to provide a self-closing action for light to medium use glass doors where it's desirable not to have to cut into timber or concrete floors to install a floor spring.
- Features an adjustable hydraulic closing mechanism.
- Can be combined with standard top patch fittings for overpanels and sidelites.
- Suitable for single or double action doors, with hold open at 90degrees.
- Accepts 10mm and 12mm toughened glass and door weight up to 80kg.
- Simple installation with three screw fixings into the floor and an adjustable base plate.
- Easy adjustment of closing and latching speeds.



Glassforce 1220 Patch Fittings, Closer & Latches

Allegro Hydraulic Surface Mounted Closer

Product Code	Description
NV401SS or PS	Surface Mounted Closer HO
NV403PS	Cover Plates



Note

- Can be used with standard Patch Fittings
- For 10/12mm Glass

Bolero Wide Body Lock/Dead Latch

Product Code	Description
NV91PS	Lock / Deadlatch
NV91SS	Lock / Deadlatch
NV92PS	Timber Strike
NV92SS	Timber Strike
NV93PS	Glass Strike
NV93SS	Glass Strike

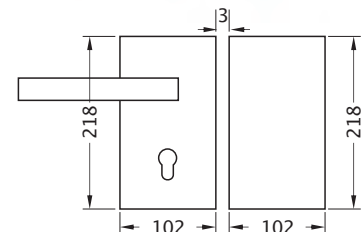
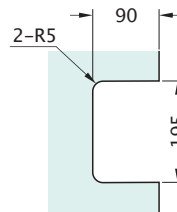
Finish

PS
SS
PS
SS
PS
SS



Note

- Europrofile Cylinder (Double Cylinder)
- Cut out for lock and strike are the same

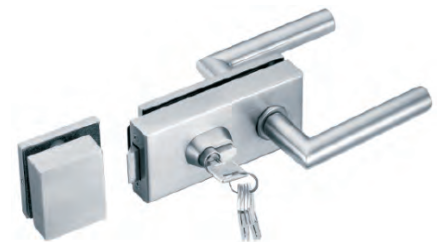


Bolero Latches

Product Code	Description
NV94PS	Locking Latch
NV94SS	Locking Latch
NV96PS	Timber Strike
NV96SS	Timber Strike
NV95PS	Glass Strike
NV95SS	Glass Strike

Finish

PS
SS
PS
SS
PS
SS



Note

- Euro-profile Cylinder (Double Cylinder)

Product Code	Description
NV97PS	Latch
NV97SS	Latch
NV96PS	Timber Strike
NV96SS	Timber Strike
NV95PS	Glass Strike
NV95SS	Glass Strike

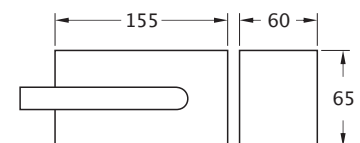
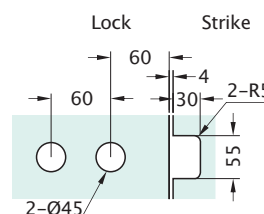
Finish

PS
SS
PS
SS
PS
SS



Note

- Latch Function only
- We suggest you send us the handing detail as you order the handles, and before you order glass



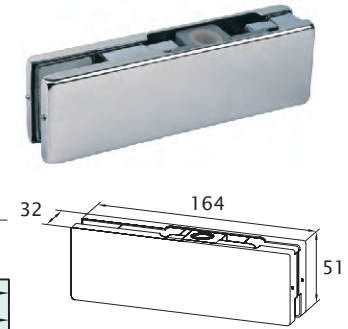
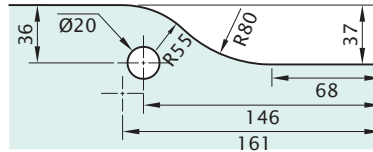
Glassforce 1220 Patch Fittings, Closer & Latches

Top Patch

Product Code	Description	Finish
NV20SS	Top Patch	SS
NV20PS	Top Patch	PS
NV21SS	Top Patch Insert for Transom Closer	SS
NV21PS	Top Patch Insert for Transom Closer	PS

Note

- Zinc Diecast body, Stainless Covers
- 10-12mm Glass, Max 130kg Door, 1100mm
- To suit Pivot

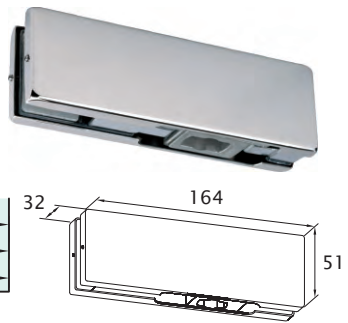
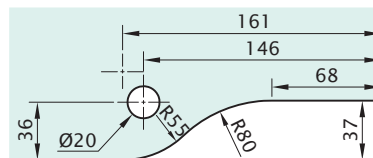


Bottom Patch

Product Code	Description	Finish
NV10SS	Bottom Patch	SS
NV10PS	Bottom Patch	PS

Note

- Zinc Diecast body, Stainless Covers
- 10-12mm Glass, Max 130kg Door, 1100mm
- To suit Floor Spring / or Floor Pivot

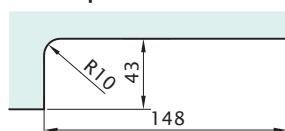


Top/Bottom Patch lock & Strikes

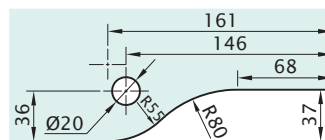
Product Code	Description	Finish
NV50SS	Bottom Patch lock	SS
NV50PS	Bottom Patch lock	PS
NV51SS	Top Patch Strike	SS
NV51PS	Top Patch Strike	PS

Note

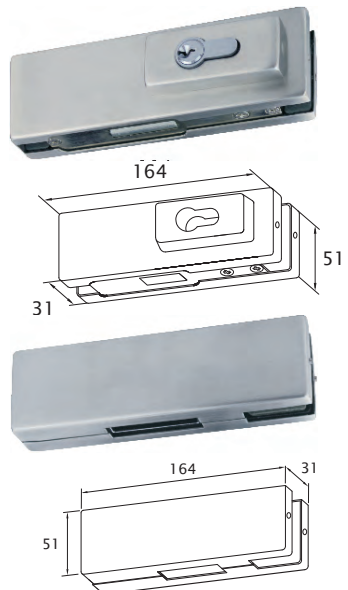
- Zinc Diecast body, Stainless Covers
- 10-12mm Glass, Max 130kg Door, 1100mm
- Europrofile Cylinder, Keyed to differ
- 16mm throw, Flat strike provided



Patch lock cut-out



Strike cut-out

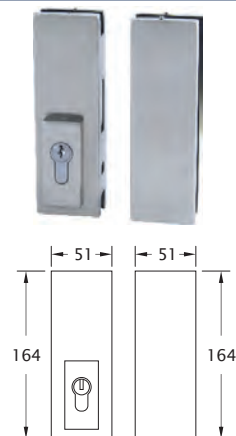
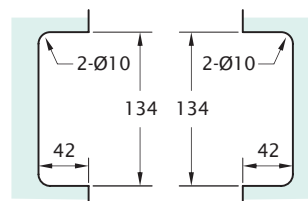


Centre Patch lock & Strikes

Product Code	Description	Finish
NV55SS	Centre Patch lock	SS
NV55PS	Centre Patch lock	PS
NV57SS	Centre Patch lock Strike	SS
NV57PS	Centre Patch lock Strike	PS

Note

- Zinc Diecast body, Stainless Covers
- 10-12mm Glass, Max 130kg Door, 1100mm
- Europrofile Cylinder, Keyed to differ
- 16mm throw, Timber strike provided

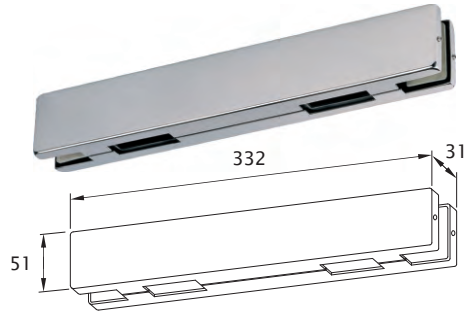


Glassforce 1220 Patch Fittings, Closer & Latches

Double Glass Strike

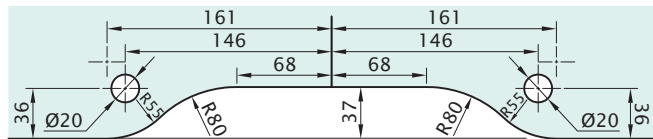
Product Code	Description
NV52SS	Double Glass Strike
NV52PS	Double Glass Strike

Finish
SS
PS



Note

- Zinc Diecast body, Stainless Covers
- 10-12mm Glass
- Max 130kg and 1100mm width Door
- To suit NV50SSS



Overpanel Patch With Pivot

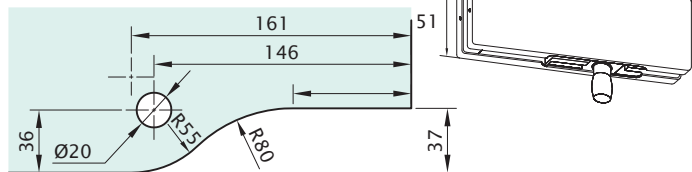
Product Code	Description
NV30SS	Overpanel patch with pivot
NV30PS	Overpanel patch with pivot

Finish
SS
PS



Note

- Zinc Diecast body, Stainless Covers
- 10-12mm Glass
- Max 130kg and 1100mm width Door
- To suit NV20



Overpanel Patch With Pivot and Wall Plate

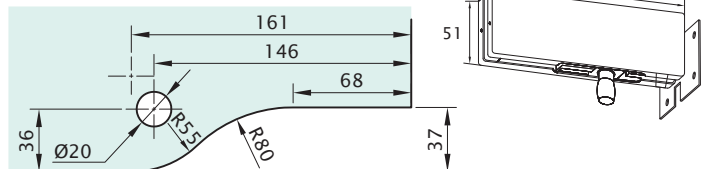
Product Code	Description	Finish
NV72SS	Overpanel patch with pivot and wall plate	SS
NV72PS	Overpanel patch with pivot and wall plate	PS

Finish
SS
PS



Note

- Zinc Diecast body, Stainless Covers
- 10-12mm Glass
- Max 130kg and 1100mm width Door
- To suit NV20



Overpanel to Side Panel

Product Code	Description	Finish
NV40SS	Overpanel to side panel with pivot	SS
NV40PS	Overpanel to side panel with pivot	PS

Finish
SS
PS



Note

- Zinc Diecast body, Stainless Covers
- 10-12mm Glass
- Max 130kg and 1100mm width Door
- To suit NV20

