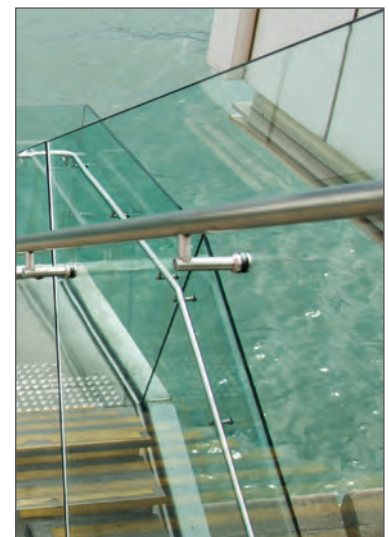


Glassforce 1470 Oval Handrail System



Product Features

- Ergonomic shape and a narrow profile for less visual intrusion.
- Features a comfortable grasp and continuous sections for easy installation.
- Meets the Building Code as a structural balustrade handrail and stair handrail.
- In addition to being a top rail, it can be side-mounted to glass or walls using our stainless steel handrail brackets.
- Suits 12mm to 21.52mm toughened or laminated glass.
- No holes in the glass required, unless handrail brackets are used.
- A complete range of fittings means angles and height changes can be achieved on site with no welding required. Wall Brackets and End Caps are available for finishing detail.
- Manufactured from Stainless Steel for long life, strength and serviceability and available in Polished Stainless or Satin Stainless finishes.

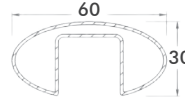


Glassforce 1470 Oval Handrail System

Rail

Product Code	Description
HR200PS	Oval Tube, 5800mm length
HR200SS	Oval Tube, 5800mm length

Finish
PS
SS

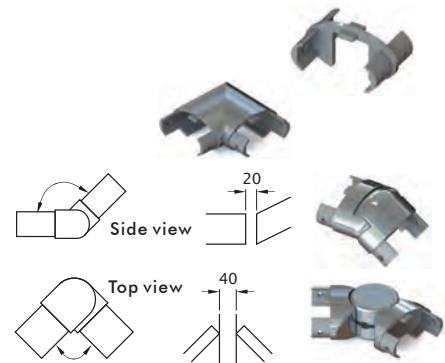


Note: Available Cut-to-Size

Joiners

Product Code	Description
HR202PS	180° Inline Joiner
HR202SS	180° Inline Joiner
HR209PS	90° Corner Joiner
HR209SS	90° Corner Joiner
HR206PS	Adjustable Vertical Joiner
HR206SS	Adjustable Vertical Joiner
HR210PS	Adjustable Horizontal Joiner
HR210SS	Adjustable Horizontal Joiner

Finish
PS
SS
PS
SS
PS
SS
PS
SS



Wall Brackets/End Caps

Product Code	Description
HR205PS	Wall Bracket/End Cap
HR205SS	Wall Bracket/End Cap

Finish
PS
SS



Glazing Rubber

Product Code	Description
HR107-12	Glazing Rubber for 12mm glass
HR107-15	Glazing Rubber for 15mm glass
HR107-21	Glazing Rubber for 21.52mm glass



Accessories

Product Code	Description
HRT	Steel template used for hole fixing
HR108	Glazing Adhesive



Fixing Options

