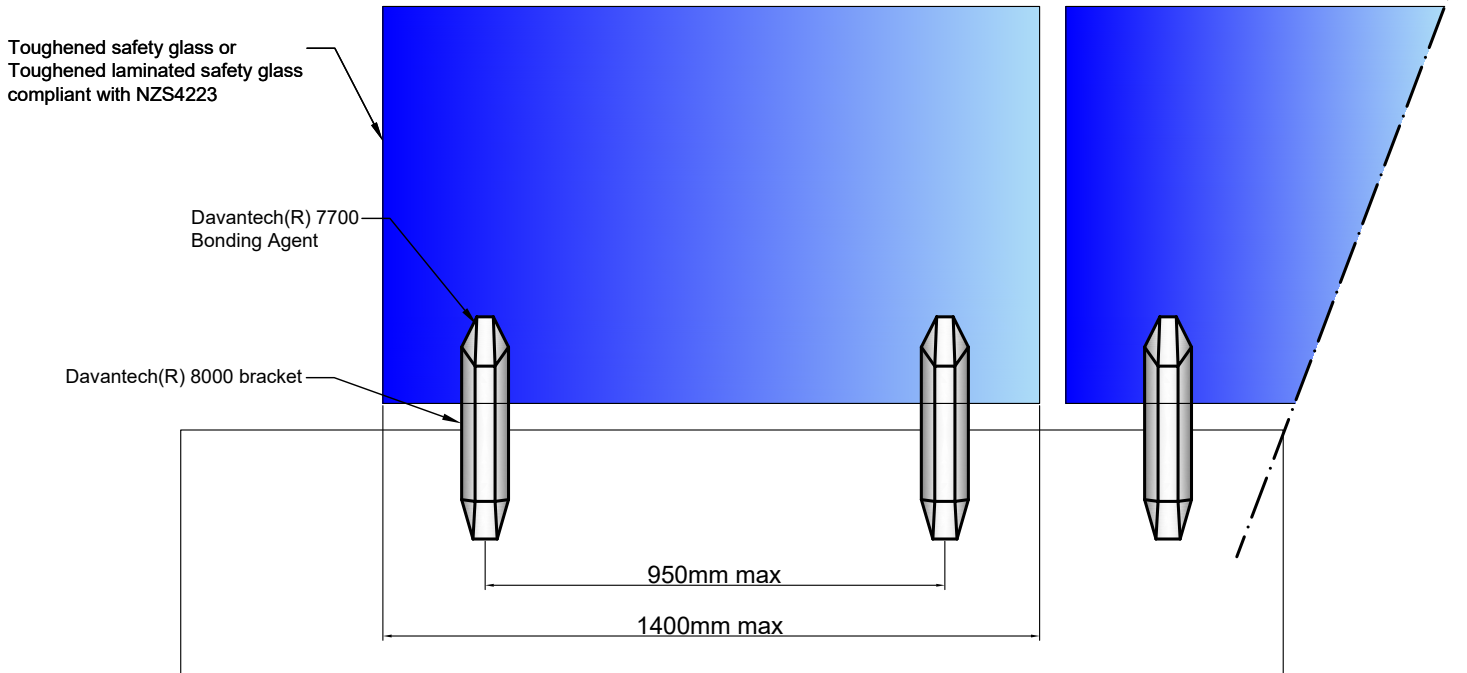


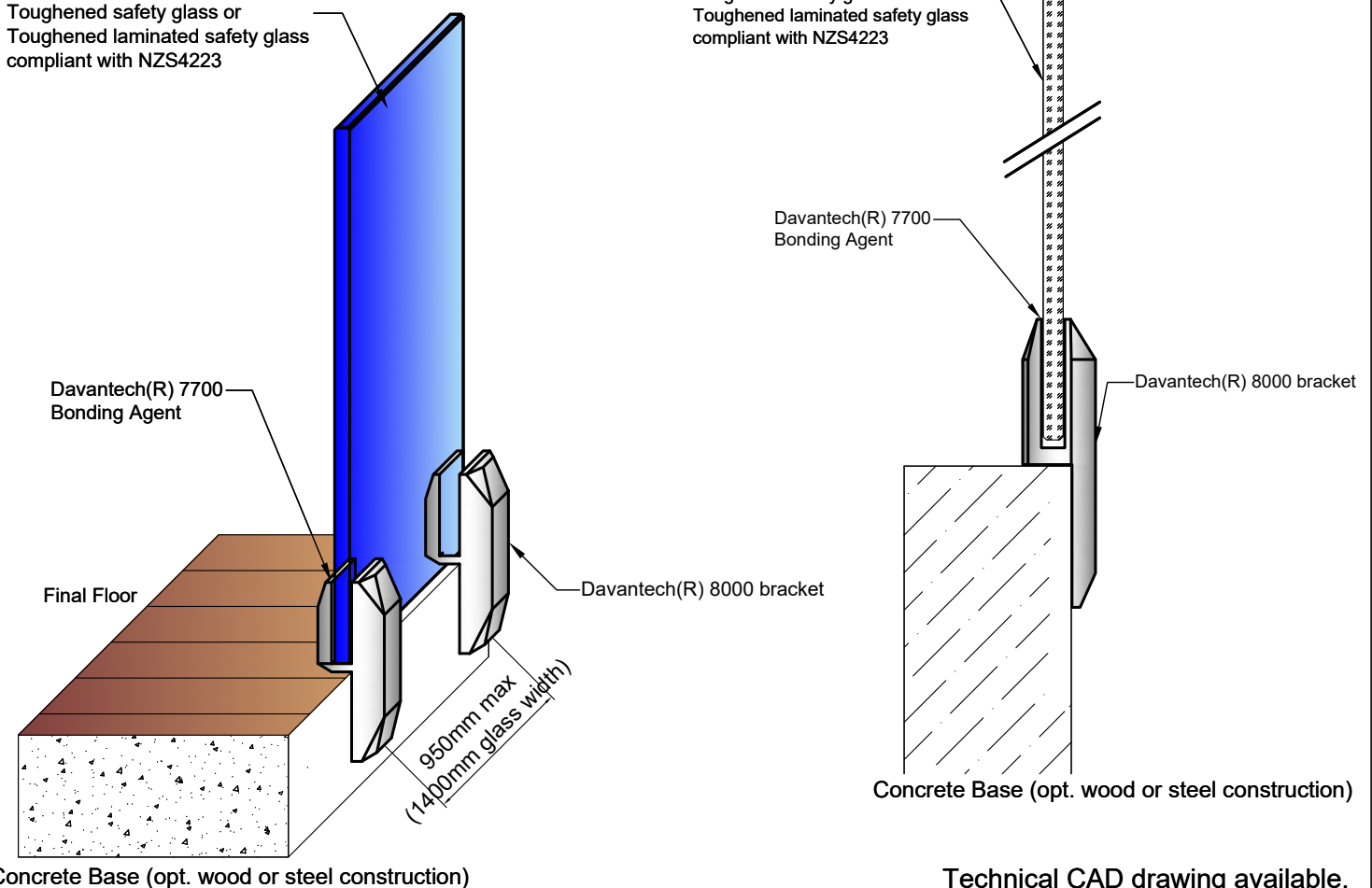
DAVANTECH 8000 face fix posts



Davantech(R) technology - Extra Strength
- Commercial and Residential
- For Exterior/Interior use
- Concrete/Timber/Metal Substructures

Toughened safety glass or Toughened laminated safety glass compliant with NZS4223

Toughened safety glass or Toughened laminated safety glass compliant with NZS4223



Technical CAD drawing available.